

Applications

Trelleborg Expansion Joints are used to create secure and better pipe systems. They help to compensate for any bending, stretching and compression that may arise. In addition, they reduce vibrations and noise.

They are used in industrial installations, offshore, dredging industry, cooling water systems for power plants, in gas and drinking-water supply lines and in combination with condensers, in pumps, turbines, boilers and more.

Construction

By adapting the latest rubber and fabric technology, Trelleborg can provide the most effective solutions to suit the required properties for any pipe systems. The expansion joints may be specially designed for pressures, temperatures, chemicals, lengths, diameters and shapes required by any applications.

The expansion joints may be manufactured in different shapes: round, square, rectangular, conical, with or without arches. In other cases with open or filled arches, with or without flanges.

Although Trelleborg Expansion Joints count as a single product, the potential variations are almost infinite.

Consult Trelleborg and feel secure

Trelleborg has more than 100 years of experience in manufacturing rubber products, with a history of stability and commitment to quality.

Continuous Development

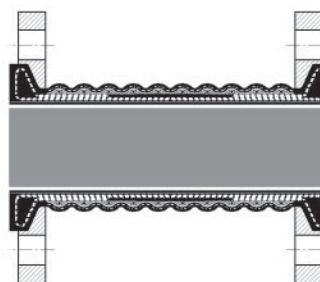
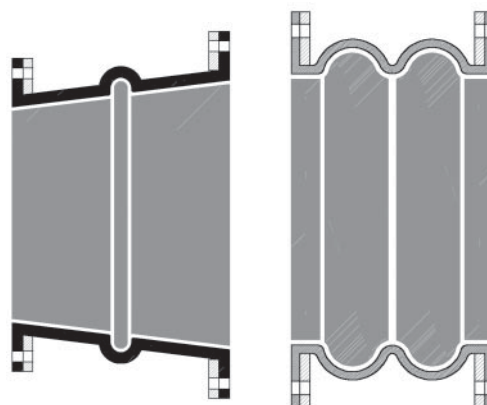
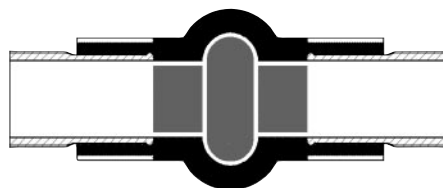
Trelleborg has invested heavily in R&D identifying our customers needs. With our experienced technical sales staff, chemists and engineers we are dedicated to finding the most cost effective and appropriate solutions. This is achieved through continuous development of new materials, composites, design and manufacturing methods.

Trelleborg S

Special

Expansion Joints

DN 25-DN 4000





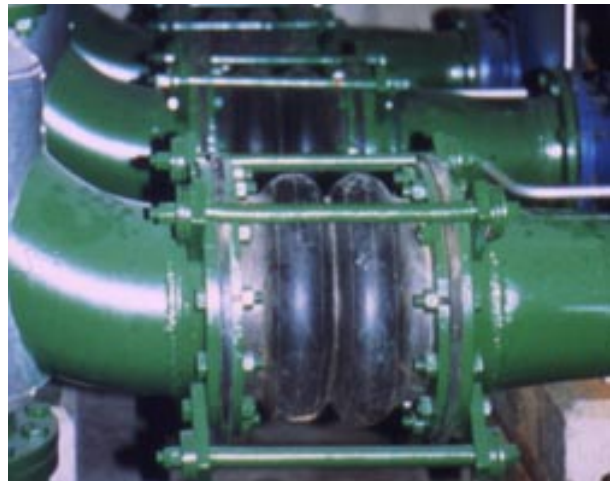
Trelleborg Expansion Joints are used in all types of industrial installations, offshore ...



... dredging industry, ...



... cooling water systems for power plants, food processing industry, in gas and drinking-water supply lines ...



... and in combination with condensers, pumps, turbines, boilers and more.

Complete range of rubber expansion joints

We offer the market the most comprehensive selection of rubber expansion joints, covering the widest range of applications and dimensions. In certain cases one may be forced to use specially manufactured expansion joints due to higher pressures and temperatures, aggressive chemicals, and of course requirements for other dimensions.

In such cases, contact us. We will certainly be able to develop a special variant for your particular application. We have the long experience and know-how required for that.



TRELLEBORG
ENGINEERED SYSTEMS

Trelleborg Industri AB, Expansion Joints, SE-231 81 Trelleborg, Sweden.
Street address: Henry Dunkers gata 2. Phone: +46 410 510 00. Fax: +46 410 131 93.
E-mail: expansion.joints@trelleborg.com Internet: www.trelleborg.com